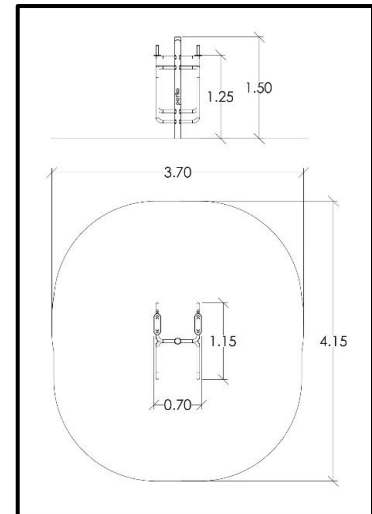


TR001

Dip Bars

PRODUCT INFORMATION

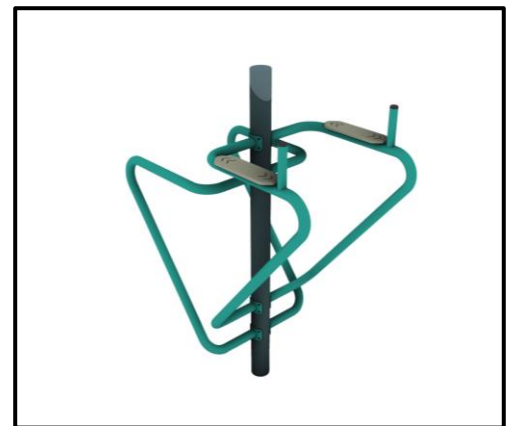
Movement space	370x415 cm
Area of movement	13,20 m ²
Dimensions	70x115 cm
Overall Height	150 cm
Free falling height	125 cm
Foundations	1 pcs
Availability of spare parts	YES
EN 16630 compliance	YES
Age group	14+
Number of users	2



- Durable Steel Construction
- Can be paired with another fitness station to share a center post or set of center posts
- Instructional sign made of HPL, 12mm thickness, with illustrations to proper use can be attached to the central post but is sold separately as TDS AE602C.
- Safety surfacing required to comply with EN 16630 / EN1177 for the fall height of the equipment Age Range: 14+ for EN standards (Height 1400mm+ for EN standards).
- Cast in place or surface mount

MATERIALS

- Metal Parts (colored): Cleaning process applied as the first step of the coating process. Zinc substrate. Zinc is applied to raw steel material. Heating cured Premium polyester coating treatment applied as top finish.
- Metal Parts (non - colored): Hot Dip Galvanized (plain) or Stainless Steel (304 / 316L)
- Central post: Ø127mm(t=3,2mm)
- Supplementary Circular Cross sections: Ø33,7mm(t=3,2mm)/ Ø42,4mm (t=3,2mm)/ Ø60,3mm (t=3,2mm)
- Panels: HPL Antiskid 12mm (EXT)
- Steel Ropes apparatus: Steel core ropes braided with polypropylene (Ø16mm). Solid and aesthetic connectors made of injection molded durable plastic / end-connectors and sleeves made of durable aluminum alloy
- All other plastic elements: Fiber reinforced plastic
- Fasteners: Electroplated coated or Stainless Steel (304 / 316L)
- Chains: Hot Dip Galvanized (plain) or Stainless Steel (304 / 316L) / Ø6mm / According to DIN 766



Please note that the above list of materials concerns the articles of the whole series. Therefore, some of them are not used in the described article.